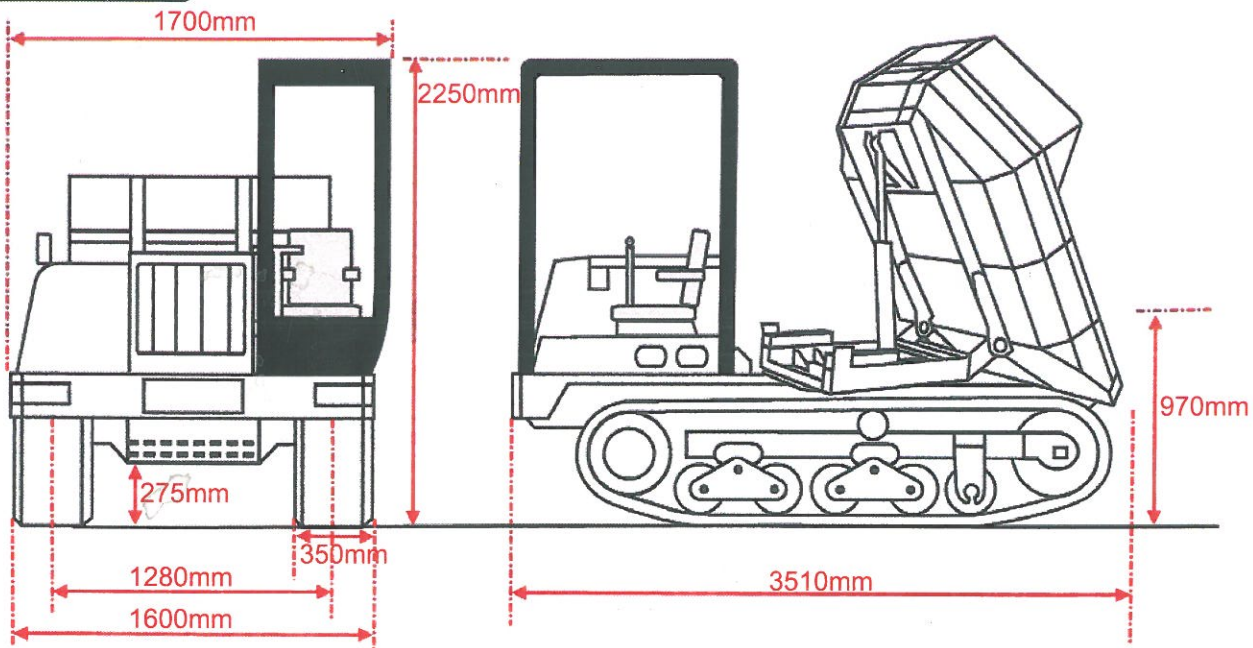
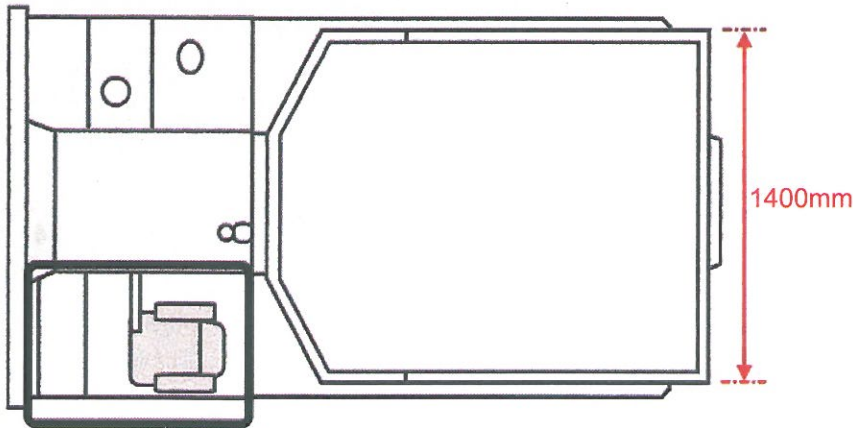


# MOROOKA MST300VDR



## ENGINE

Make:

**Kubota**

Model: V2203-M-EU32

4 cylinder, Displacement: 2.2 litre

48 PS / 39.5KW @ 2800 rpm

Fuel Tank capacity: 61 Litres

Bi-Directional seat positions

Machine weight: 2450Kg

Payload: 2500Kg

## PERFORMANCE

Travel speed: - Low 0 ~ 6 kph

Travel speed: - High 0 ~ 0 kph

Gradeability: (empty) 30 degrees

Ground Pressure empty: 0.16 Kg/cm<sup>2</sup>

Ground Pressure loaded: 0.32 kg/cm<sup>2</sup>

Track width: 350mm

Body Rotation angle: 160 degrees