

NOTES

1. MACHINE ABOVE SHOWN WITH 800mm RADIUS BUCKET
2. BASE MACHINE SHOWN FOR REFERENCE ONLY

2	24/11/11	3197	LAK
1	07/12/10	-	FS
ISS	DATE	MOD	DRN.



24 Arkwright Road
 Hadleigh Road Industrial Estate
 Ipswich IP2 0UB ENGLAND
 Tel. +44 (0)1473 217477

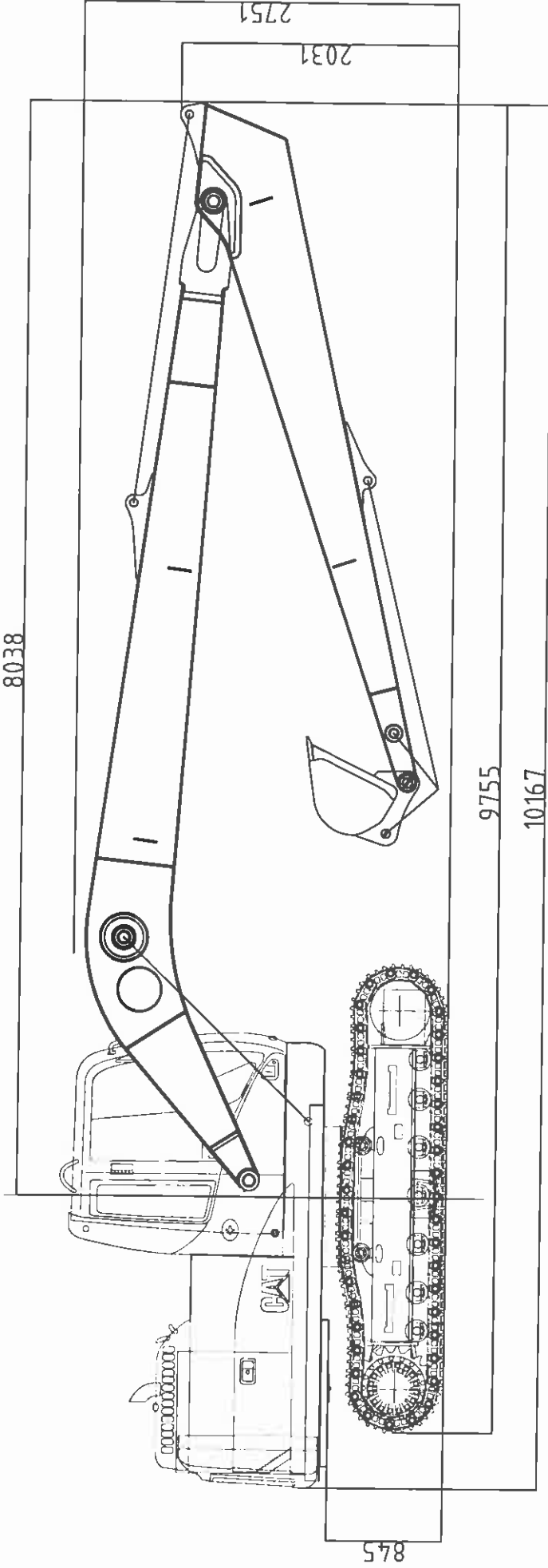
CONFIDENTIAL
 This drawing embodies confidential information, the property of KOCUREK EXCAVATORS Ltd., to whom the copyright belongs. This drawing may not be copied or used for any purpose other than that for which it was made available except with the prior written consent of KOCUREK EXCAVATORS Ltd., & provision of this drawing does not grant any rights under any industrial property rights of KOCUREK EXCAVATORS Ltd., nor of any third party.

TITLE	MACHINE DATA WORKING ENVELOPE CAT 312C / 312D - LR (12m)
DRG. NO.	15000125
	SHT 1 OF 2

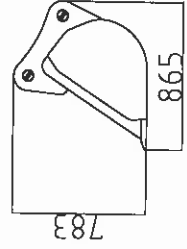
NOT BINDING
IN DETAIL

APPROXIMATE CALCULATED WEIGHT :
 CAT 312 C = 12,750 kg.
 CAT 312 D = 12,615 kg (EXCLUDING BUCKET)

(INCLUDING CAT BASE MACHINE WITH 700mm TRACK SHOES, OEM (C/WT) COUNTERWEIGHT, ADDITIONAL UNDERSLUNG C/WT, OEM HOIST CYLINDERS, OEM DIPPER CYLINDER, OEM ATTACHMENT CYLINDER, OEM LINKAGE, LR BOOM, LR DIPPER, 0.4m³ BUCKET)



APPROX WEIGHT - 275 kg
 0.4m³ CAT 312C DITCHING BUCKET
 NOT INCLUDED ON ALL SUPPLIES



NOTES

1. ALL WEIGHTS AND DIMENSIONS APPROXIMATE - BASE MACHINE INFORMATION BASED ON OEM (ORIGINAL EQUIPMENT MANUFACTURER) LITERATURE.
2. FOR ALL ADDITIONAL UNMODIFIED BASE MACHINE DATA SEE OEM LITERATURE.
3. SEE APPROPRIATE ASSEMBLY FOR FURTHER WEIGHT BREAKDOWNS.

2		24/11/11 3197 LAK		CONFIDENTIAL		ALL DIMS IN mm UNLESS OTHERWISE STATED		SCALE NTS IF IN DOUBT ASK		DRAWN FS		DATE 06/12/10		TITLE MACHINE DATA TRANSPORT	
1		07/12/10		24 Ardenleigh Road, Reddish, P22 6UB, ENGLAND		DIMENSIONS WITHOUT TOLERANCES: X.X ±2.0, X.XX ±0.5, X.XXX ±0.2, ANGLES ±1°		DO NOT SCALE		MATERIAL		FINISH		CAT 312C 312D - LR (12m)	
ISS. DATE		MOD/DRN		KOCUREK		TOLERANCES: X.X ±2.0, X.XX ±0.5, X.XXX ±0.2, ANGLES ±1°		ASK		FS		-		DRG. NO. 15000125	
2		2		21 Ardenleigh Road, Reddish, P22 6UB, ENGLAND		ANGLES ±1°		SCALE		-		-		SHT 2 OF 2	