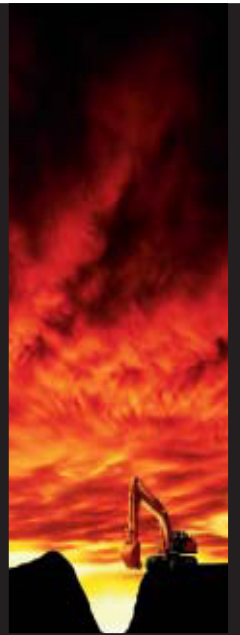
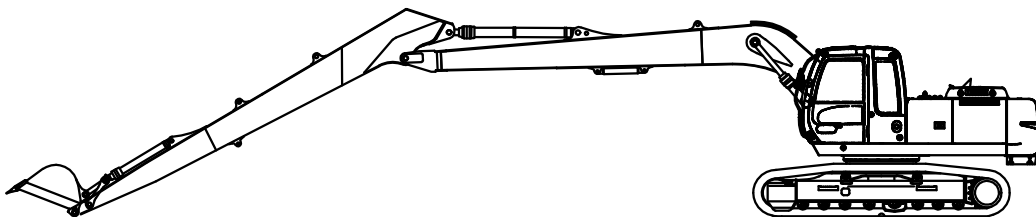


HITACHI ZAXIS280LC LONG REACH H18

engine rated power
123 kW / 165 HP

operating weight
28 500 kg

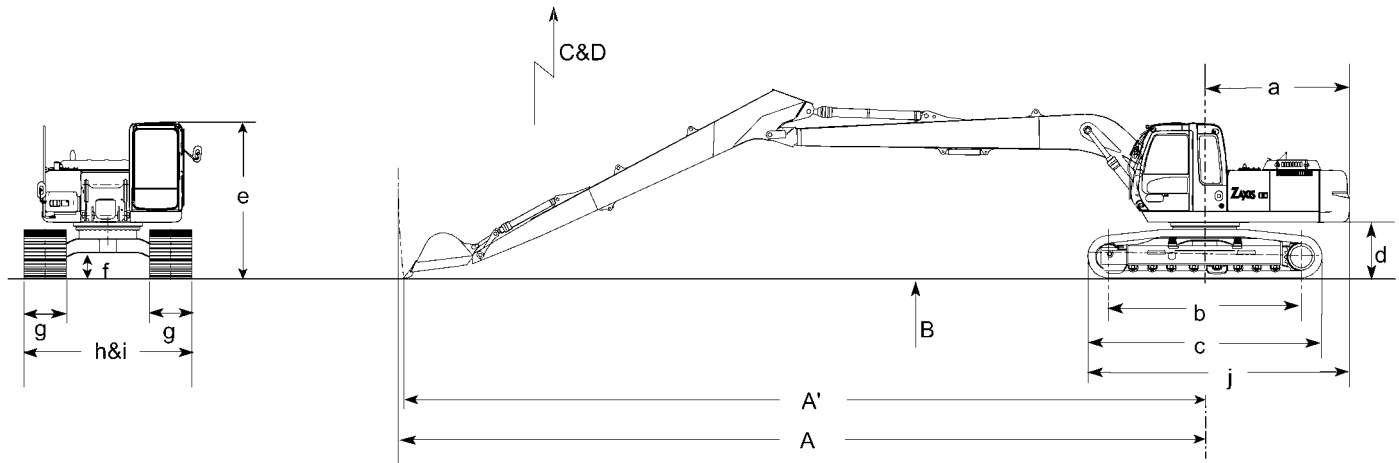
bucket capacity
PCSA heaped : 0.45 m³



HITACHI

TECHNICAL DATA

DIMENSIONS



ZAXIS280LC

Front end attachment	Type H18
Bucket capacity	
SAE. PCSA heaped	0.45 m ³
CECE heaped	0.40 m ³
A Max. digging reach	18 250 mm
A' Max. digging reach on ground	18 160 mm
B Max. digging depth	14 150 mm
C Max. cutting height	14 870 mm
D Max. dumping height	12 760 mm
Max. arm digging force	47.4 kN (4 830 kgf)
Max. bucket digging force	72.5 kN (7 390 kgf)
a Rear-end swing radius	2 940 mm
b Distance between tumbler	4 050 mm
c Undercarriage length	4 950 mm
d Counterweight clearance	1 180 mm
e Overall height of the cab	3 110 mm
f Min. ground clearance	510 mm*
g Track shoe width	G800 mm
h Undercarriage width	3 390 mm
i Overall width	3 390 mm
j Basic machine length	5 410 mm

Unit: mm

G: Triple Grouser shoe

*: Excluding track shoe lug.

TECHNICAL DATA

ENGINE

Model.....Isuzu CC-6BG1T
 Type..... 4-cycle water-cooled, direct injection
 Aspiration Turbocharged, intercooled
 No. of cylinders..... 6
 Rated power
 DIN6271, net P mode : 125 kW (170 HP) at 2 050 min⁻¹(rpm)
 SAE J1349, net P mode : 123 kW (165 HP) at 2 050 min⁻¹ (rpm)
 Maximum torque..... 637 N·m (65 kgf·m) at 1 800 min⁻¹ (rpm)
 Piston displacement 6.494 L
 Bore and stroke 105 mm × 125 mm
 Batteries 2 × 12 V / 97 AH
 GovernorMechanical speed control with stepping motor

HYDRAULIC SYSTEM

- Work mode selector
Digging mode / Attachment mode
- Engine speed sensing system

Main pumps..... 2 variable displacement axial piston pumps
 Max. oil flow 2 × 209 L/m
 Pilot pump 1 gear pump
 Max. oil flow..... 34 L/min.

HYDRAULIC MOTORS

Travel2 variable displacement axial piston motors
 Swing..... 1 axial piston motor

RELIEF VALVE SETTINGS

Implement circuit 32,4 Mpa (330 kgf/cm²)
 Swing circuit 27,4 Mpa (280 kgf/cm²)
 Travel circuit 34,8 Mpa (355 kgf/cm²)
 Pilot circuit 3,9 Mpa (40 kgf/cm²)
 Power boost 36,3 Mpa (370 kgf/cm²)

HYDRAULIC CYLINDERS

High-strength piston rods and tubes. Cylinder cushion mechanisms provided in boom and arm cylinders to absorb shock at stroke ends.

UPPER STRUCTURE

REVOLVING FRAME

Welded sturdy box construction, using heavy-gauge steel plates for ruggedness. D-section frame for resistance to deformation

SWING MECHANISM

Axial piston motor with planetary reduction gear is bathed in oil. Swing circle is single-row, shear-type ball bearing with induction hardened internal gear. Internal gear and pinion gear are immersed in lubricant. Swing parking brake is spring-set /hydraulic-released disc type.

Swing speed..... 10.6 min⁻¹ (rpm)

OPERATOR'S CABIN

Independent spacious cabin, 1 005 mm wide by 1 675 mm high, conforming to ISO standards. Reinforced glass windows on 4 sides for visibility. Front windows (upper and lower) can be opened. Reclining seat with armrests; adjustable with or without control levers.

CONTROLS

Pilots controls. Hitachi's original shockless valve and quick warm-up system built in the pilot circuit. Hydraulic warm-up control system for engine and hydraulic oil.

Implement levers2
 Travel levers with pedals2

UNDERCARRIAGE

TRACKS

Tractor-type undercarriage. Welded track frame using selected materials. Side frame welded to track frame. Lubricated track rollers, idlers, and sprockets with floating seals.

Track shoes with triple grousers made of induction-hardened rolled alloy. Flat and triangular shoes are also available. Heat-treated connecting pins with dirt seals. Hydraulic (grease) track adjusters with shock-absorbing recoil springs.

NUMBERS OF ROLLERS AND SHOES ON EACH SIDE

Upper rollers2
 Lower rollers9
 Track shoes48
 Track guard1

TRACTION DEVICE

Each track driven by 2-speed axial piston motor through planetary reduction gear for counterrotation of the tracks.

Sprockets are replaceable. Parking brake is spring-set/hydraulic-released disc type. Travel shockless relief valve built in travel motor absorbs shocks when stopping travel.

Automatic transmission system: High-Low

Travel speedsHigh: 0 to 4.9 km/h
 Low: 0 to 2.9 km/h

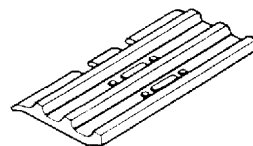
Maximum traction force..... 246 kN (25 100 kgf)

Gradeability..... 35° (70%) continuous

WEIGHTS AND GROUND PRESSURE

Shoe type	Shoe width	Operating weight (kg)	Ground pressure
Triple grouser	800 mm	28 500	40 kPa (0.41 kgf/cm ²)
Triple grouser	900 mm	28 880	36 kPa (0.37 kgf/cm ²)

Triple grouser shoe



800 mm (Standard)
 900 mm (Option)

Boom (with arm cylinder)

Overall length 9 920 mm
 Overall height 1 640 mm
 Overall width 730 mm
 Weight 2 622 kg

Arm (with bucket cylinder and links)

Overall length 9 020 mm
 Overall height 1 060 mm
 Overall width 500 mm
 Weight 1 480 kg

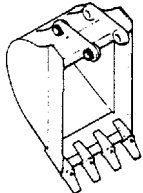
TECHNICAL DATA

BUCKET

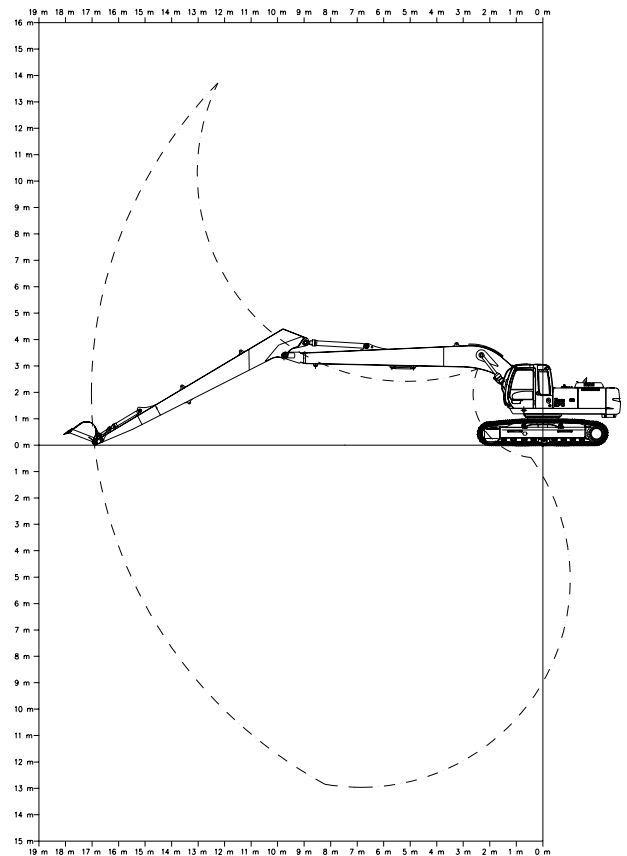
Bucket is of welded steel structure. Side clearances adjust mechanism provided on the bucket joint bracket.

Type	Capacity m ³ (SAE, PCSA)	Width mm	Weight kg	No. of teeth
Backhoe	0.45	850	319	4

Backhoe bucket



WORKING RANGE



This super-long front attachment is designed and manufactured for light duty work such as dredging rivers and lakes, finishing slope surfaces, excavating heaped soil, etc.. Density of materials is limited up to 1800 kg/m³. Do not use this attachment for general digging operations.

HITACHI CONSTRUCTION MACHINERY (EUROPE) NV

Souvereinstraat 16, 4903 RH, Oosterhout
 P.O. 404, 4900 AK Oosterhout
 The Netherlands T +31 (0)162 484400, F +31 (0)162 457453
www.hcme.com

These specifications are subject to change without notice. Illustrations and photos show the standard models, and may or may not include optional equipment, accessories, and all standard equipment with some differences in color and features. Before use, go through Operator's Manual for proper operation.
 © 2004 Hitachi Construction Machinery (Europe) NV

KS-E465

03.06(KA)