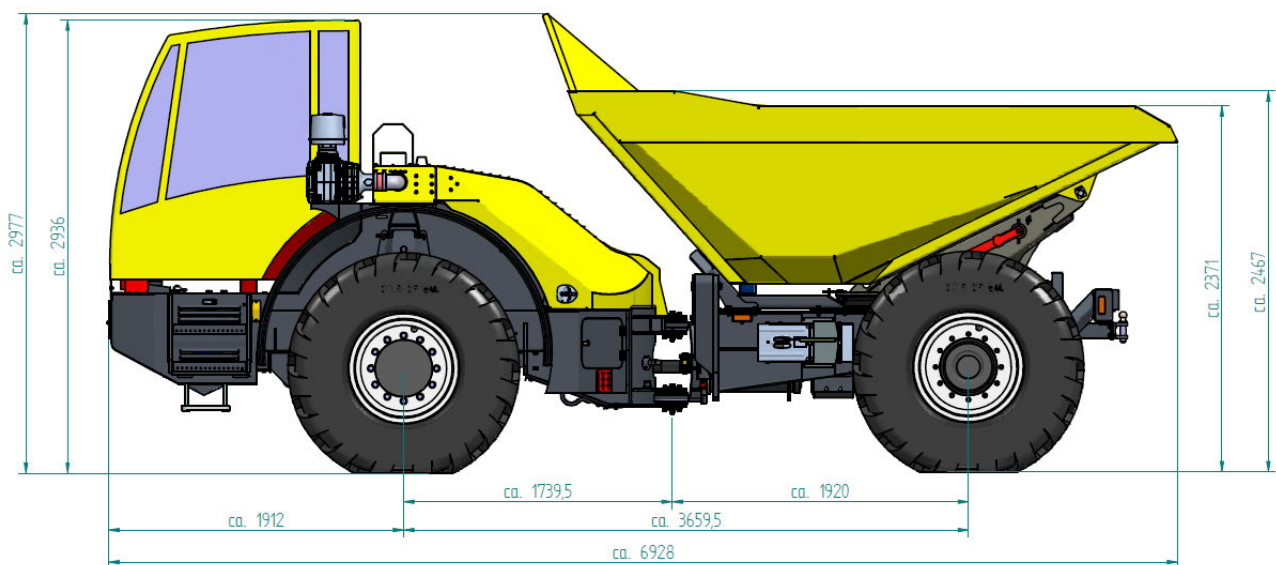


# Bergmann Dumper 3012 swivel tip



Strong arguments for your advantage

- ▶ high stability thanks to oscillating axle
- ▶ swivelling operator's stand
- ▶ electro hydraulic spring type cylinder park brake
- ▶ compact dimensions with low weight





# Bergmann Dumper

## 3012 swivel tip

### Technical Data

<b>Weight / Bucket capacity</b>	Payload	12.000 kg
	Unladen weight	11.600 kg
	Bucket capacity struck	6,3 m <sup>3</sup>
	Bucket capacity heaped	8,0 m <sup>3</sup>
	Bucket system	Hydraulical swivel tip
<b>Dimensions</b>	Height with cabine	3.000 mm
	Total length	6.930 mm
	Total width	2.500 mm
	Ground clearance	430 mm
<b>Transmission</b>	Load-depending shift – manually shiftably by hand and automatically, self-adjusting optimisation of traction force and speed, speed control stepless forward and backwards, ZF-Ergo-Power transmission	
	1. gear F - 5 km/h	2. gear F - 9 km/h
	3. gear F - 14 km/h	4. gear F - 21 km/h
	5. gear F - 32 km/h	6. gear F - 40 km/h
	1. gear R - 6 km/h	2. gear R - 14 km/h
	3. gear R - 34 km/h	
<b>Steering</b>	Hydraulical articulated steering acting over priority valve articulation: 37° left & right	
<b>Axles / brakes</b>	Suspended front axle, rear axle fix, maintenance-free-oil-bath multi-disc brake in the wheel hubs with self-locking differential with a locking value of 45 %, hydraulically applicated spring-type cylinder locking brake acting over articulated shaft on front and rear axle.	
<b>Engine</b>	4-cylinder Cummins Diesel engine –water cooled- power 119 KW with 2.200 rpm - TIER 4 interim	
<b>Tyres</b>	Standard 20.5 R 25 double coin	
<b>Bonnet</b>	Easy access to all maintenance and service points thanks to wide opening sectioned bonnet	
<b>Tank capacity</b>	Fuel 190 L Hydraulic oil 80 L	
<b>Electrics</b>	24 V electric system with main switch, fault finding modus, fuel and hour counter, control lamps for engine oil, parking brake, driving direction display, battery charging control, hydraulic filter, display for drive position	
<b>Standard equipment</b>	Comfortable driver's cab with air-suspended driver's seat, swivelling operator's stand, lighting system according to German traffic regulations, hardox plates in the bucket, flashing yellow light, cigarette lighter, roller blind for front windscreen, device for radio, loudspeaker and antenna EC declaration of conformity	