

NOTES:

1. TO BE USED IN CONJUNCTION WITH KOCUREK SUPPLIED UNDERSLUNG C/WT.

2. SHOWN WITH 1.3/1.5/1.8m<sup>3</sup> GRAB ASSY.

1	03/05/18	-	STL
ISS	DATE	MOD	DRN.
NOT BINDING IN DETAIL			

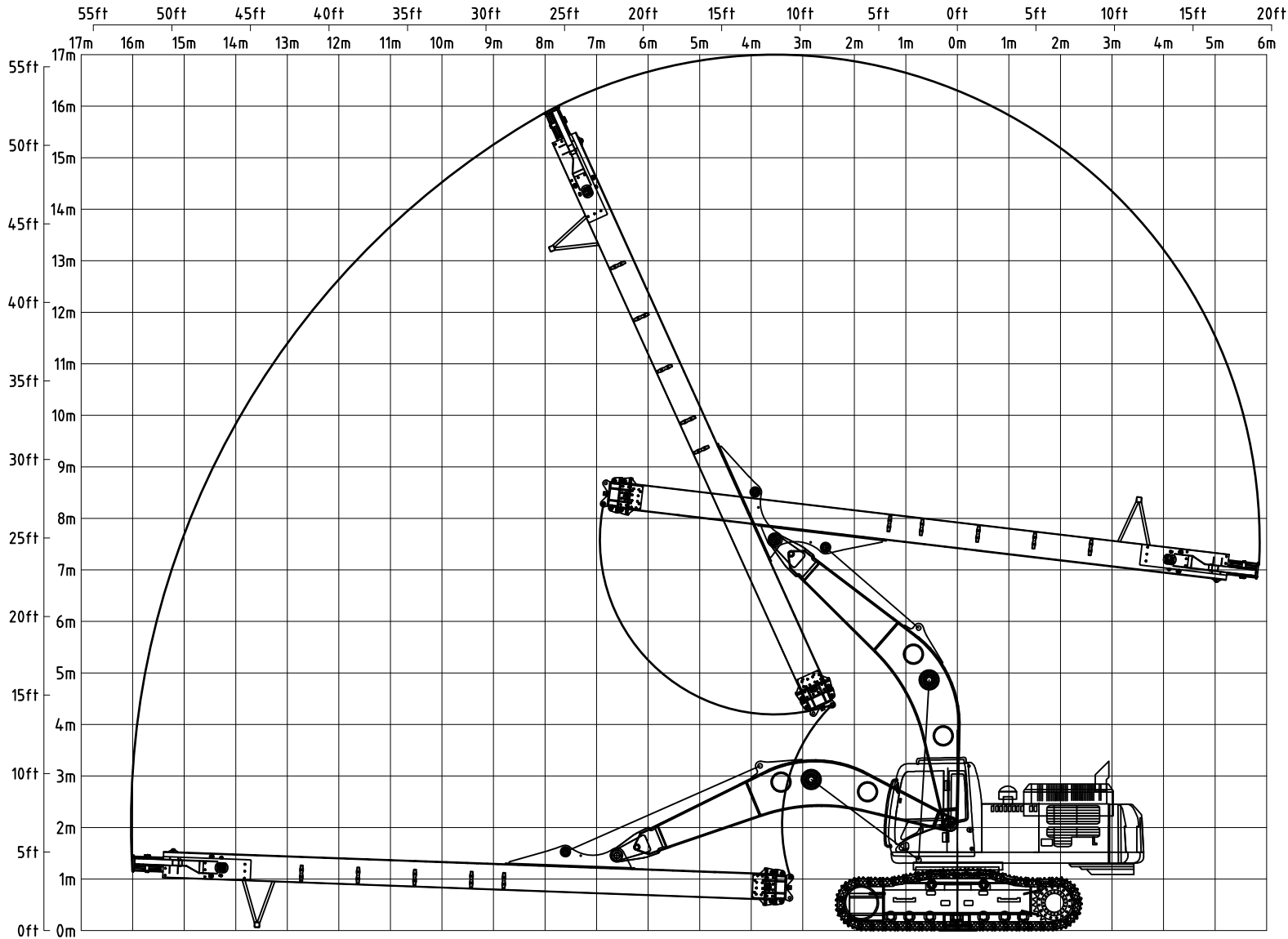
**KOCUREKzrx**  
gy

24 Arkwright Road  
Hadleigh Road Industrial Estate  
Ipswich IP2 0UB ENGLAND  
Tel. +44 (0)1473 217477

**CONFIDENTIAL**

This drawing embodies confidential information, the property of KOCUREK EXCAVATORS Ltd., to whom the copyright belongs. This drawing may not be copied or used for any purpose other than that for which it was made available except with the prior written consent of KOCUREK EXCAVATORS Ltd., & provision of this drawing does not grant any rights under any industrial property rights of KOCUREK EXCAVATORS Ltd., nor of any third party.

TITLE	DATASHEET - RANGE 25m TELEDIPPER CAT 336FL	
DRG. NO.	99000937	SHT 1 OF 3



**NOTES:**

1. CLASH BETWEEN BASE MACHINE AND ATTACHMENT POSSIBLE IN SOME POSITIONS.

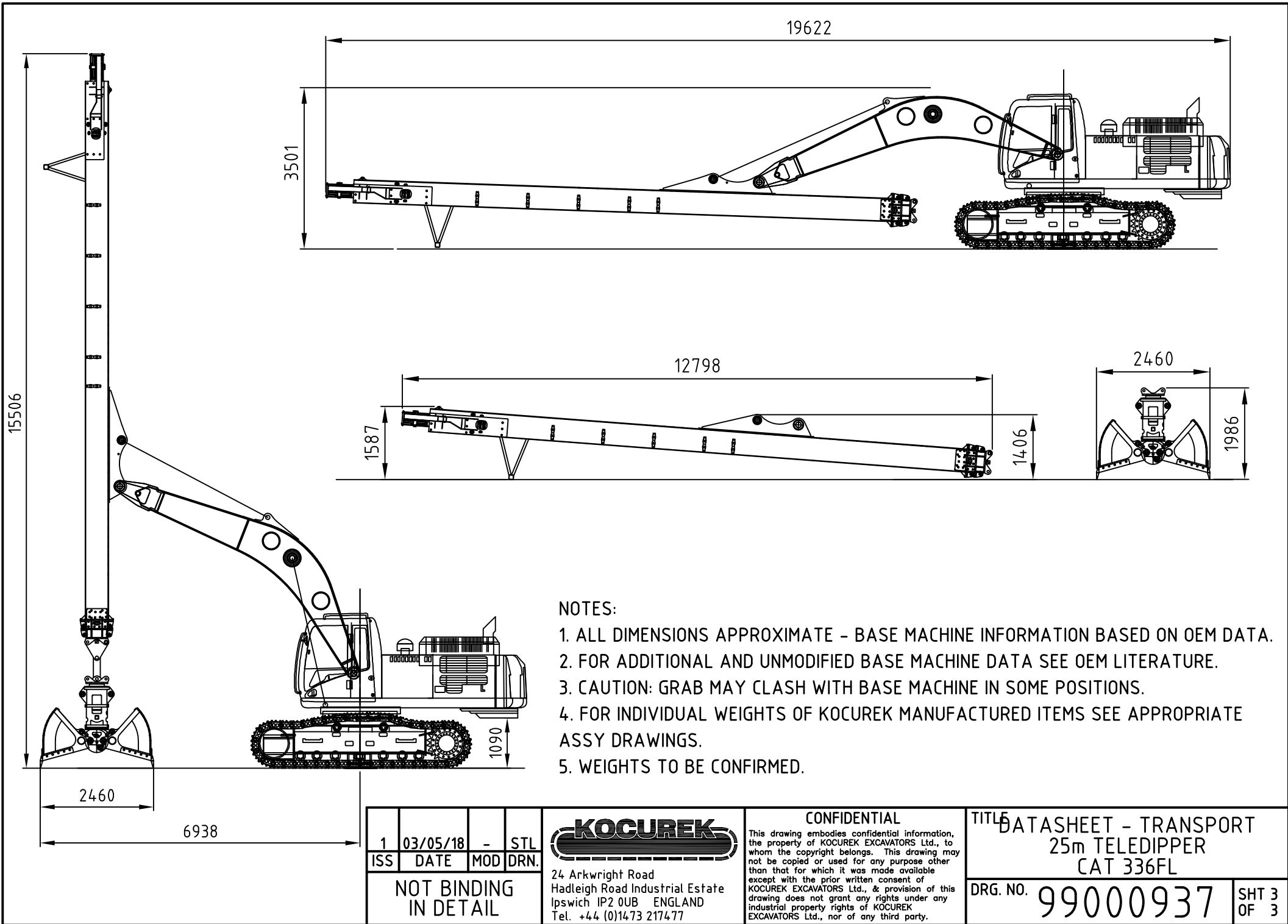
2. TO BE USED IN CONJUNCTION WITH KOCUREK SUPPLIED UNDERSLUNG C/W.T.

1	03/05/18	-	STL
ISS	DATE	MOD	DRN.
<b>NOT BINDING IN DETAIL</b>			

**KOCUREK**  
 24 Arkwright Road  
 Hadleigh Road Industrial Estate  
 Ipswich IP2 0UB ENGLAND  
 Tel. +44 (0)1473 217477

**CONFIDENTIAL**  
 This drawing embodies confidential information, the property of KOCUREK EXCAVATORS Ltd., to whom the copyright belongs. This drawing may not be copied or used for any purpose other than that for which it was made available except with the prior written consent of KOCUREK EXCAVATORS Ltd., & provision of this drawing does not grant any rights under any industrial property rights of KOCUREK EXCAVATORS Ltd., nor of any third party.

TITLE DATASHEET - RANGE 25m TELEDIPPER CAT 336FL	
DRG. NO. 99000937	SHT 2 OF 3



NOTES:

1. ALL DIMENSIONS APPROXIMATE - BASE MACHINE INFORMATION BASED ON OEM DATA.
2. FOR ADDITIONAL AND UNMODIFIED BASE MACHINE DATA SEE OEM LITERATURE.
3. CAUTION: GRAB MAY CLASH WITH BASE MACHINE IN SOME POSITIONS.
4. FOR INDIVIDUAL WEIGHTS OF KOCUREK MANUFACTURED ITEMS SEE APPROPRIATE ASSY DRAWINGS.
5. WEIGHTS TO BE CONFIRMED.

1	03/05/18	-	STL
ISS	DATE	MOD	DRN.
NOT BINDING IN DETAIL			

**KOCUREK**  
 24 Arkwright Road  
 Hadleigh Road Industrial Estate  
 Ipswich IP2 0UB ENGLAND  
 Tel. +44 (0)1473 217477

**CONFIDENTIAL**  
 This drawing embodies confidential information, the property of KOCUREK EXCAVATORS Ltd., to whom the copyright belongs. This drawing may not be copied or used for any purpose other than that for which it was made available except with the prior written consent of KOCUREK EXCAVATORS Ltd., & provision of this drawing does not grant any rights under any industrial property rights of KOCUREK EXCAVATORS Ltd., nor of any third party.

TITLE DATASHEET - TRANSPORT 25m TELEDIPPER CAT 336FL	
DRG. NO. 99000937	SHT 3 OF 3